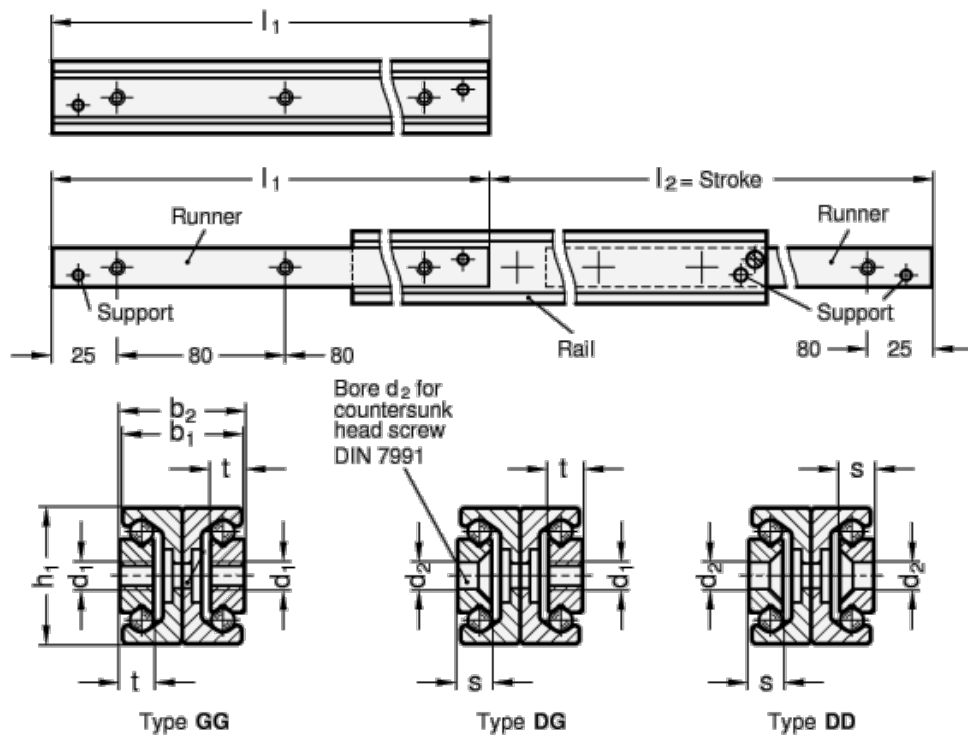


Article number: 20240835530GG

Description: E+G Telescope-Liאר motion bearings GN 2408-35-530-GG

## Measures



$b_1 = 33$   
 $b_2 = 34$   
 $d_1 = M6$   
 $d_2 =$   
 $h_1 = 35$   
 $L_1 = 530 - 558$   
 $s =$   
 $t = 10$

Weight in (g) = 3220